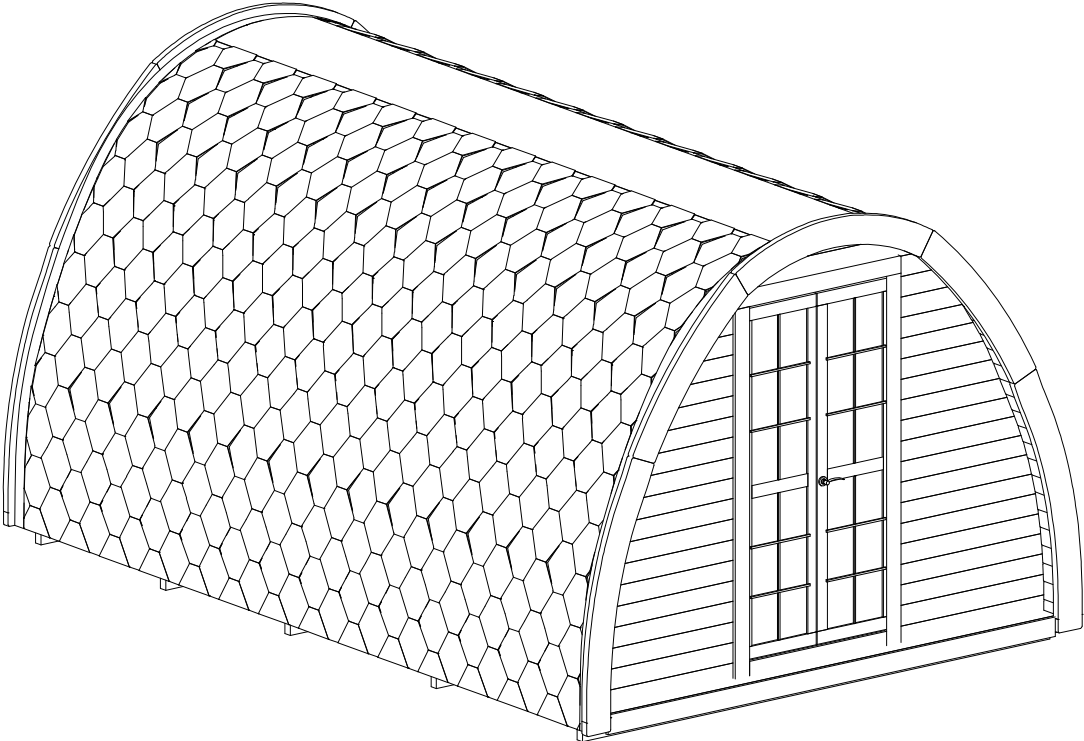
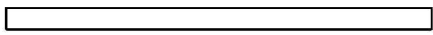
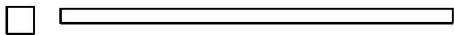
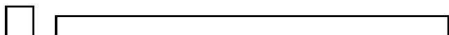
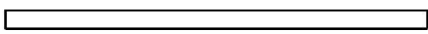
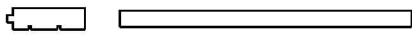
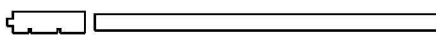
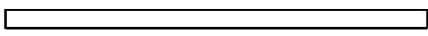

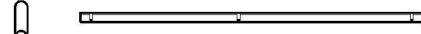
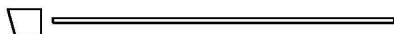


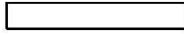

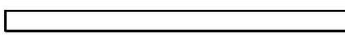
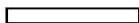

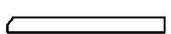
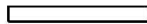

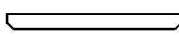
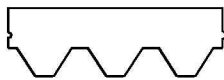


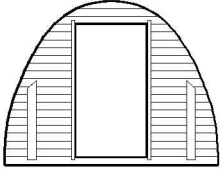
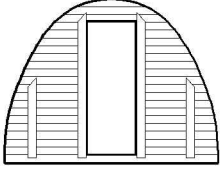
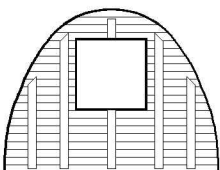

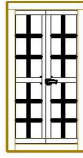
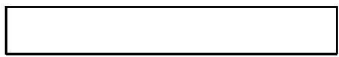
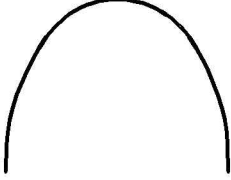
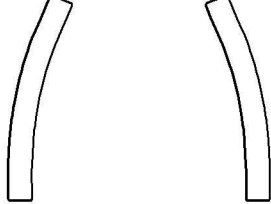
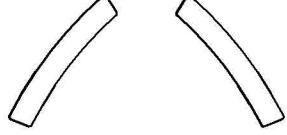

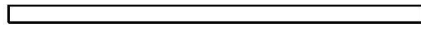


# Insulated Camping Pod 4.8

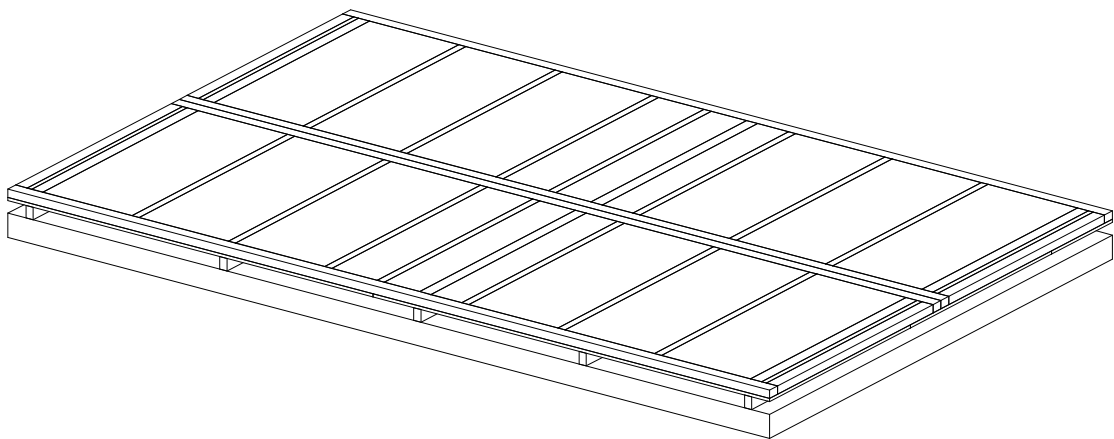
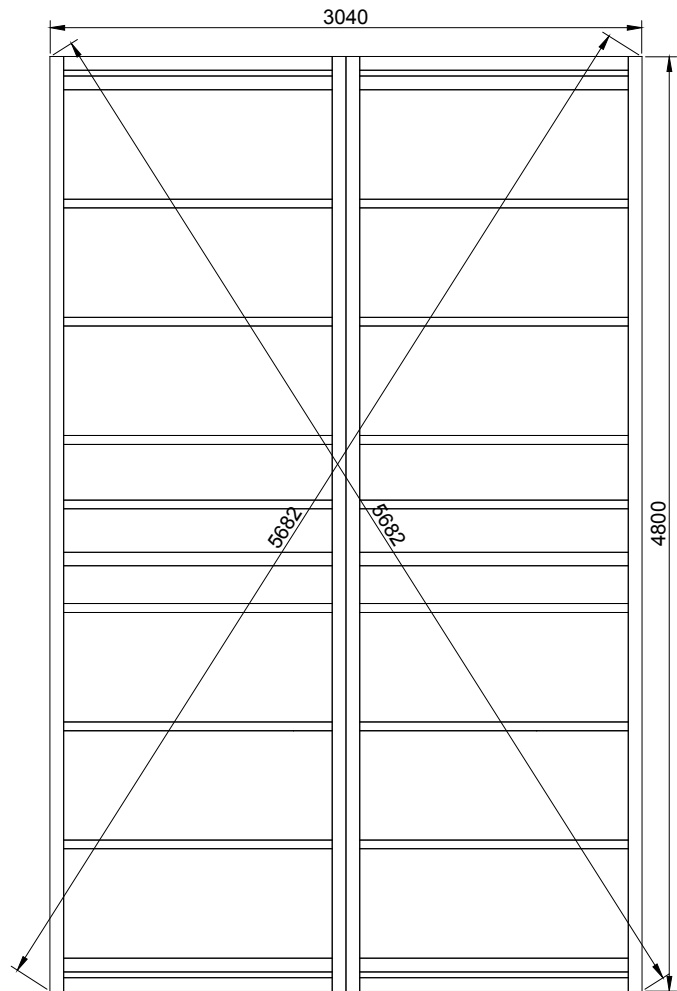


No.	$\begin{matrix} x \\ \swarrow \\ y \end{matrix} \begin{matrix} z \\ \searrow \end{matrix}$	Detail	Psc.	Dimension (x,y,z) mm
1			4	
2			14	
3			15	
4			1	
5			22	
6			22	
4.1			1	
7			1	
8			61	
9			2	
10			24	
11			6	
12			52	
13			22	
14			28	
15			1	
16			1	
17			2	
18			1	
19			2	
20			1	
21			—	
22			2	

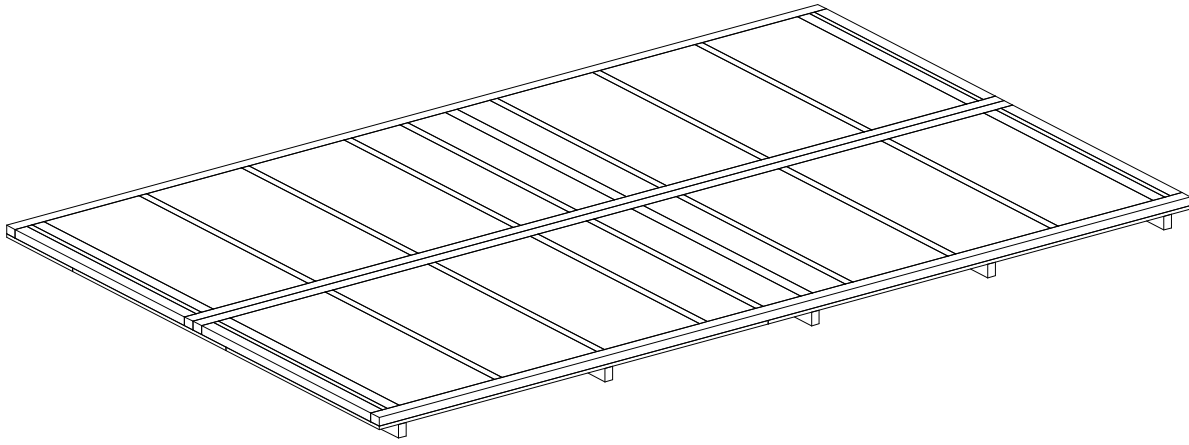
No.		Detail	Psc.	Dimension (x,y,z) mm	
A			1		
A1			1		
A2			1		
A3			1		
A4			1		
A5			1		
A6			2		
A7			4		
A8			4		
A9			2		
A10			2		



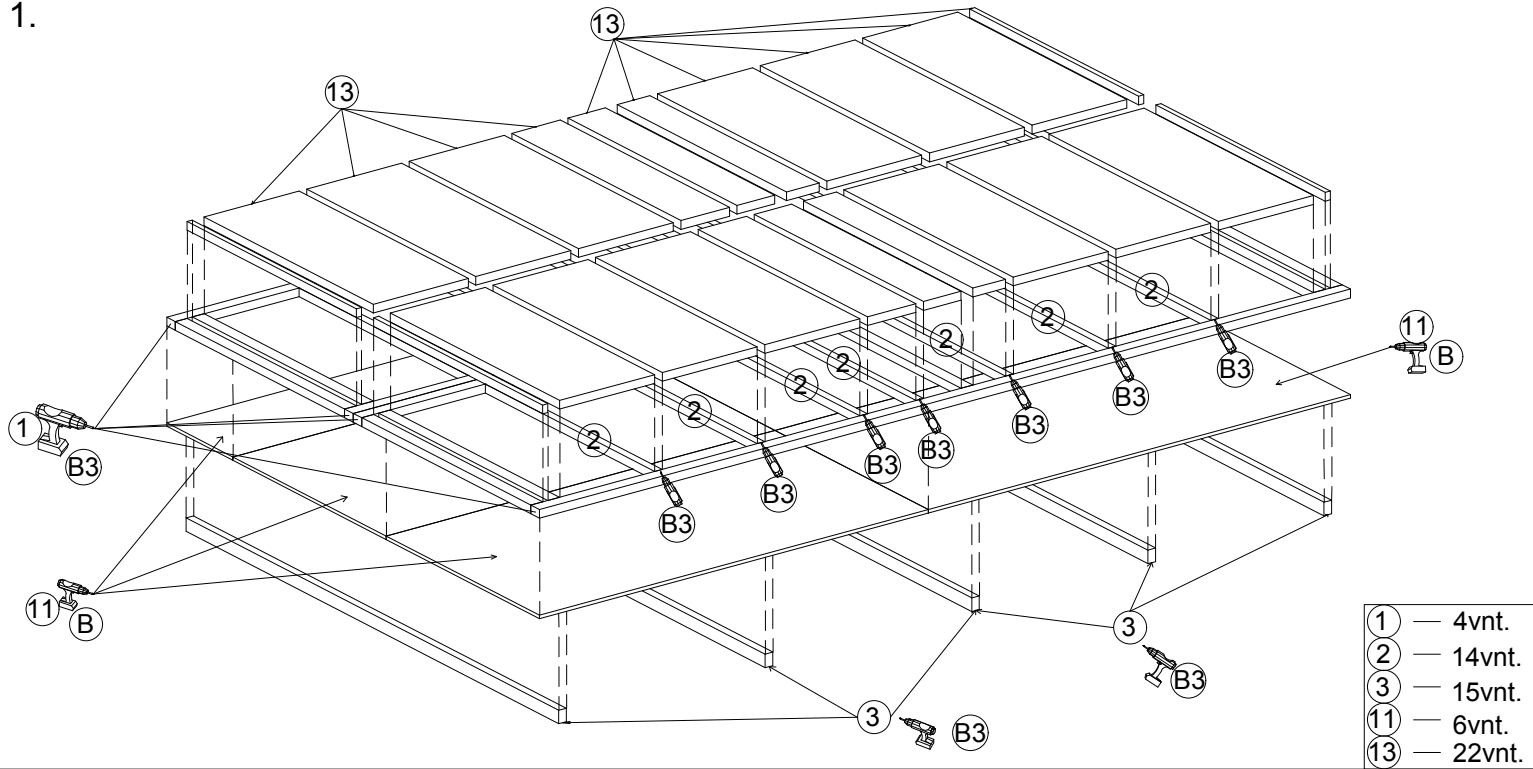
# 1. Insulated Camping Pod 4.8



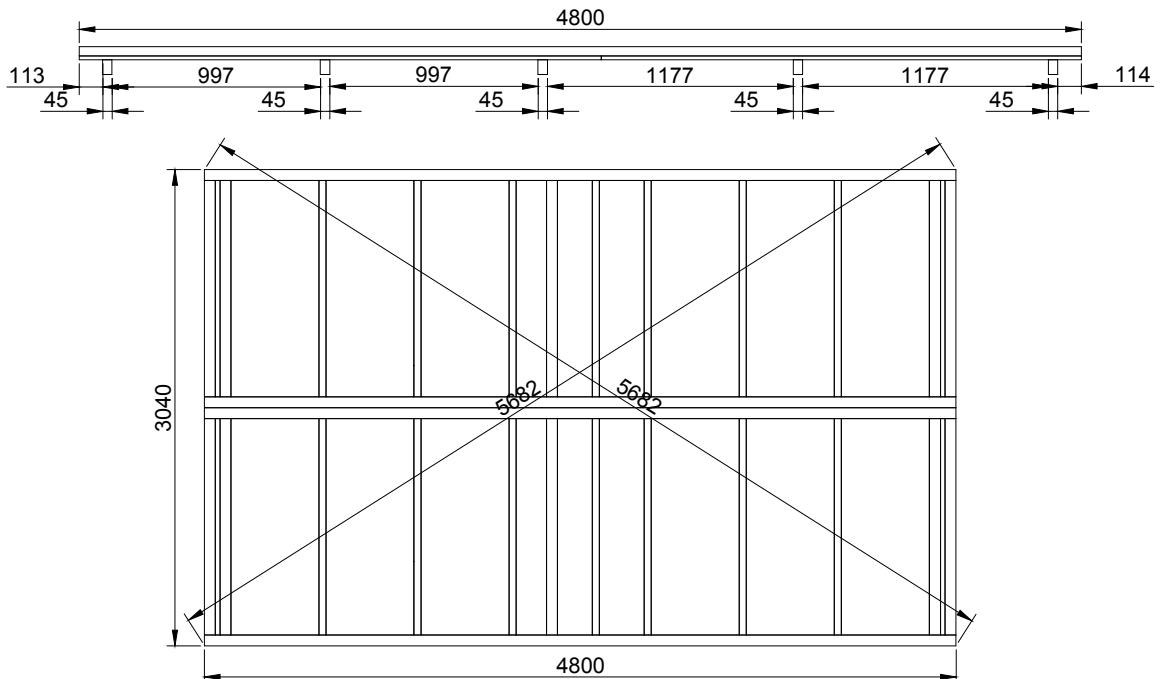
## 2. Insulated Camping Pod 4.8



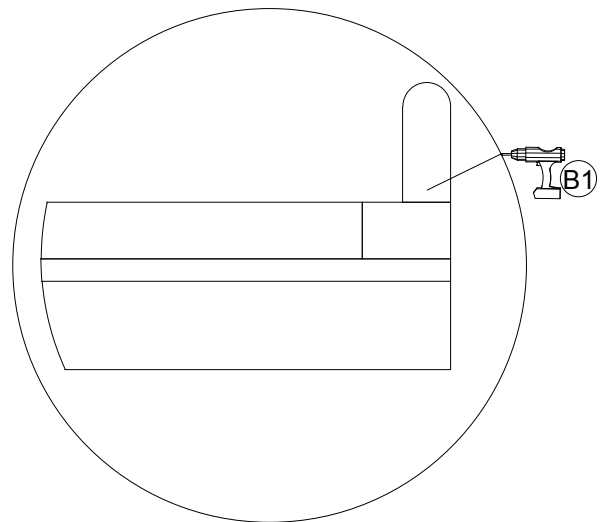
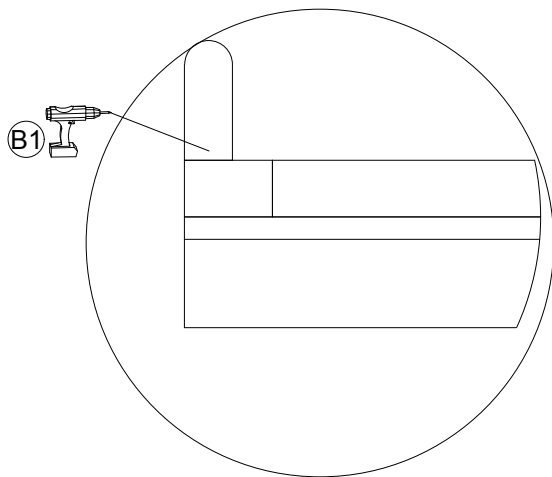
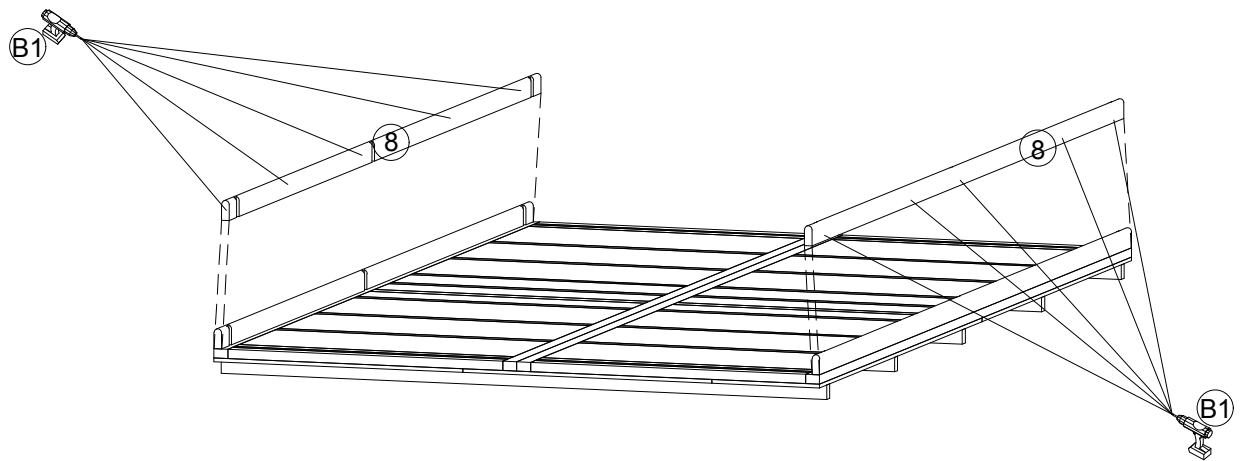
1.



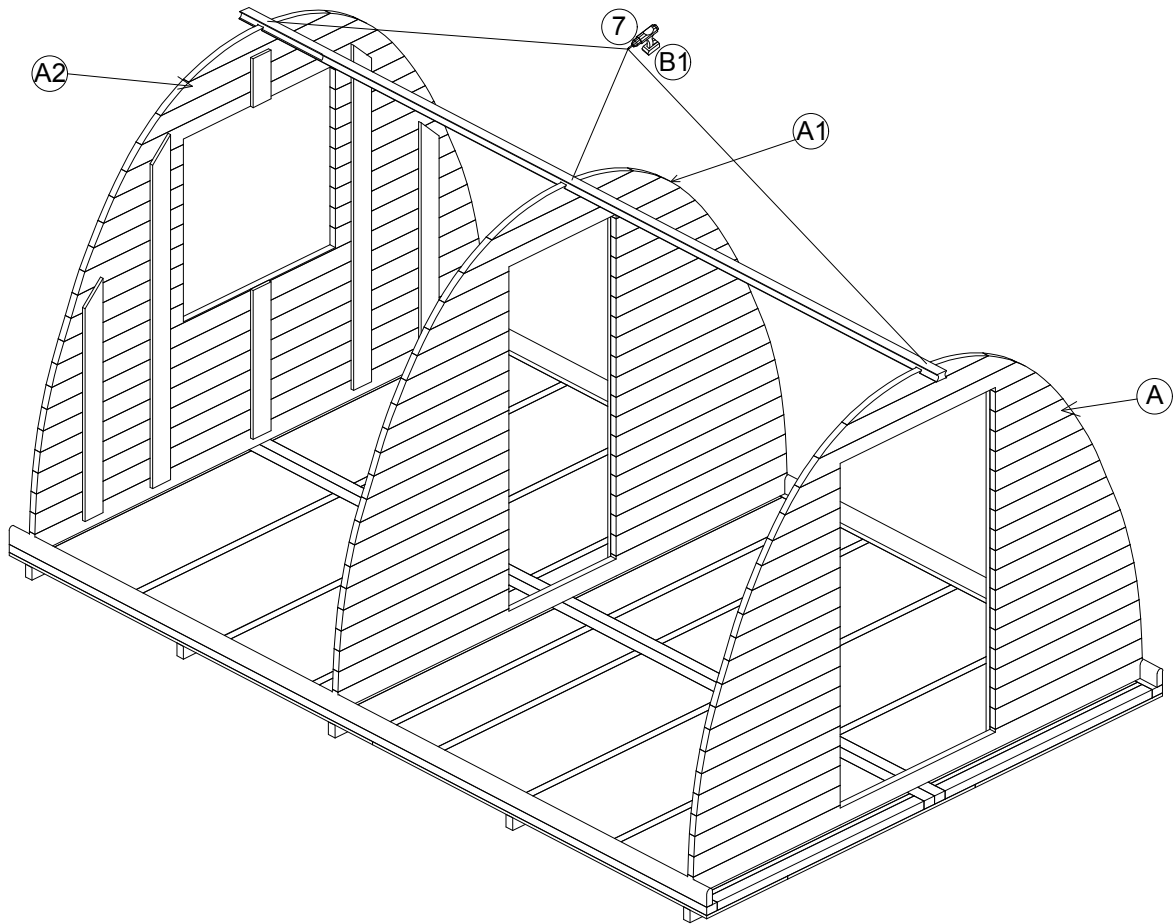
2.



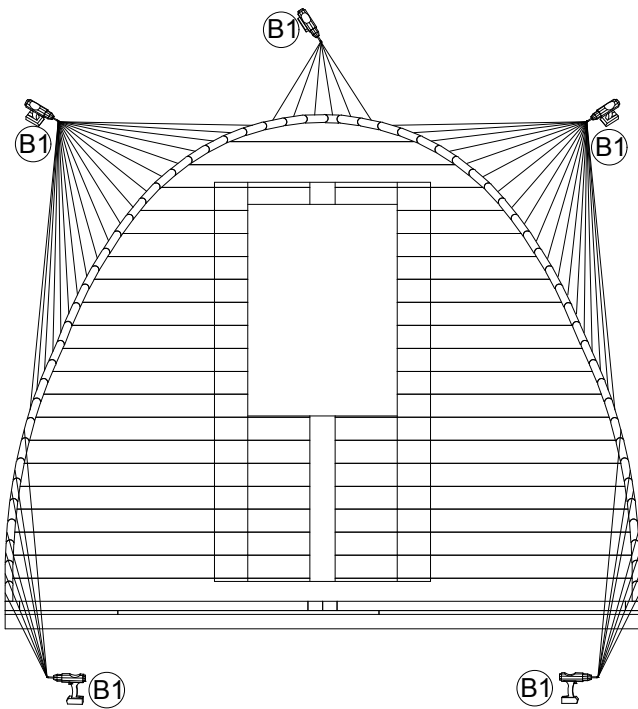
### 3. Insulated Camping Pod 4.8



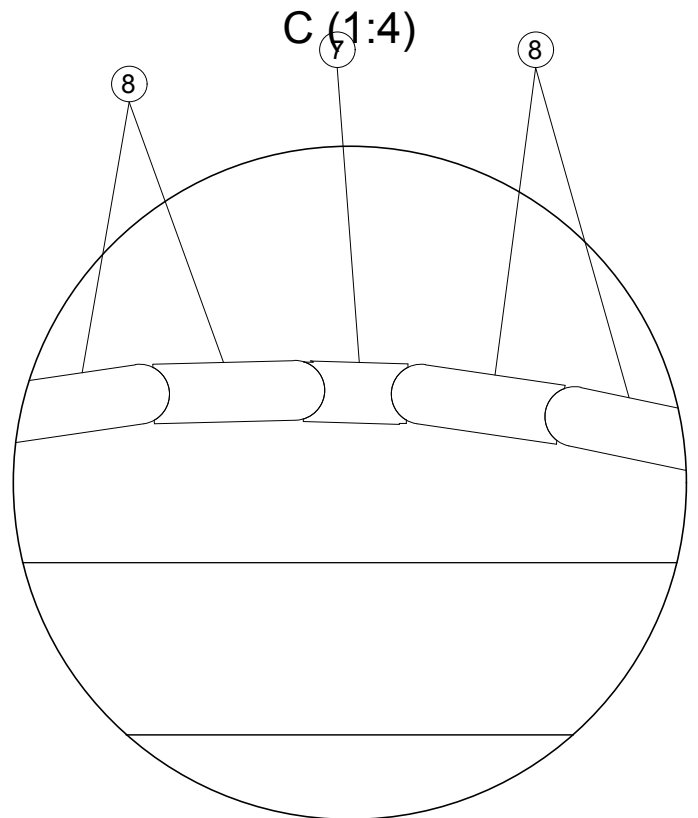
# 4. Insulated Camping Pod 4.8



1.

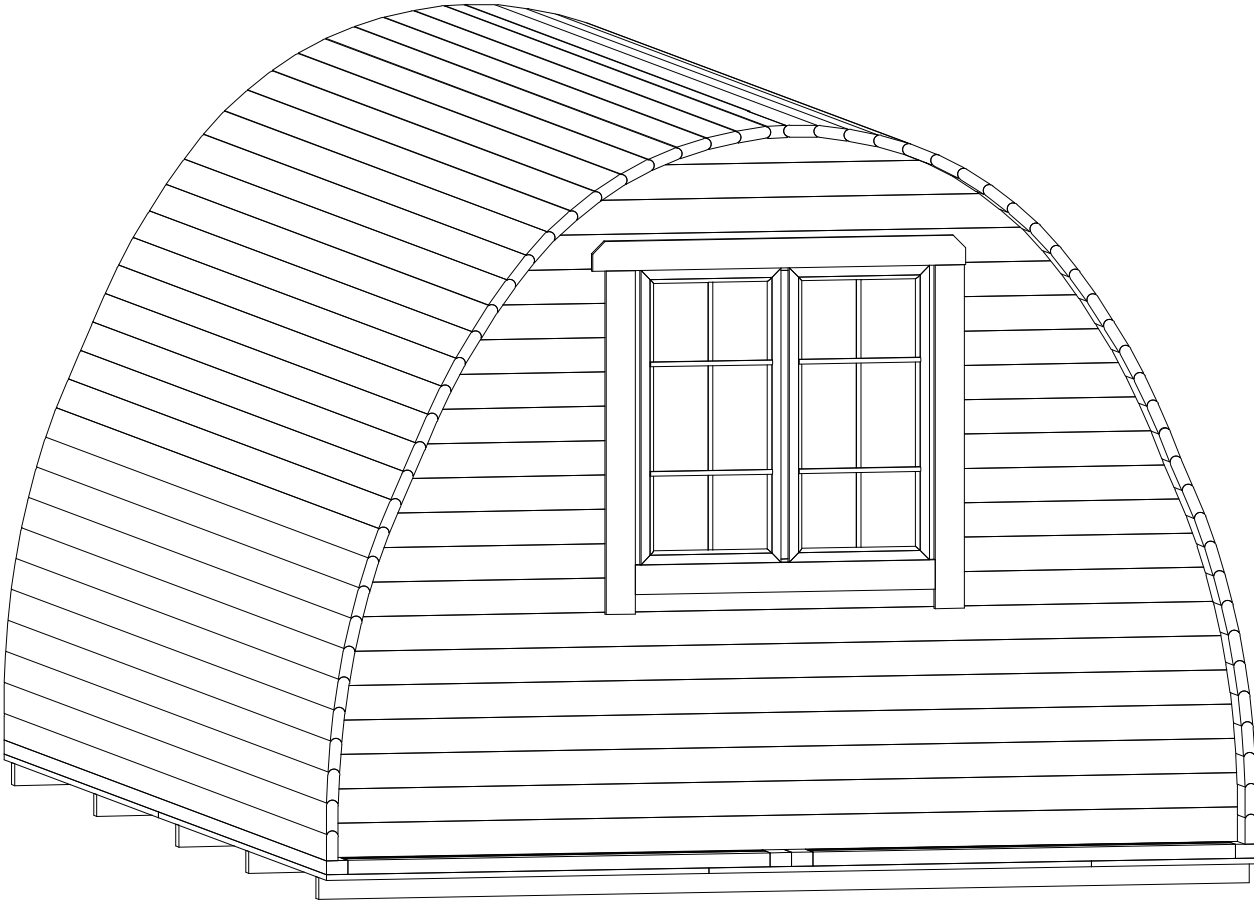


2.

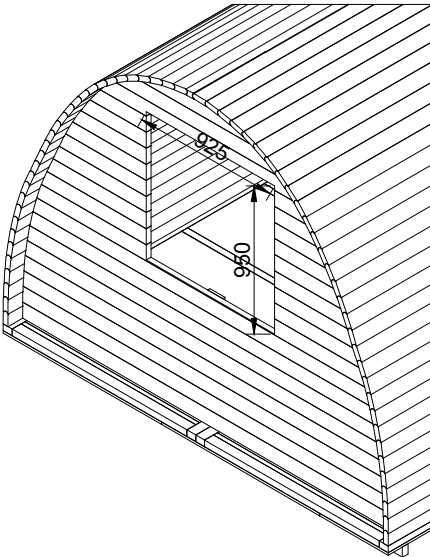




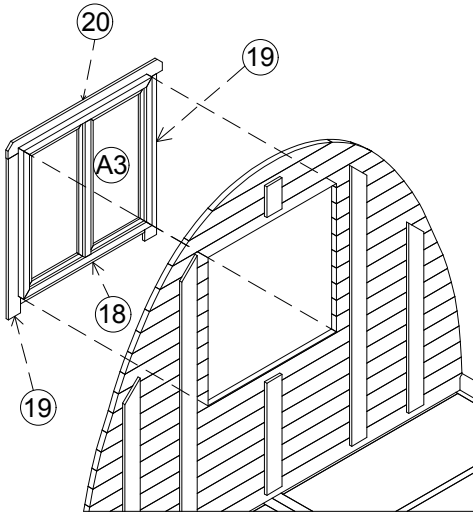
# 5. Insulated Camping Pod 4.8



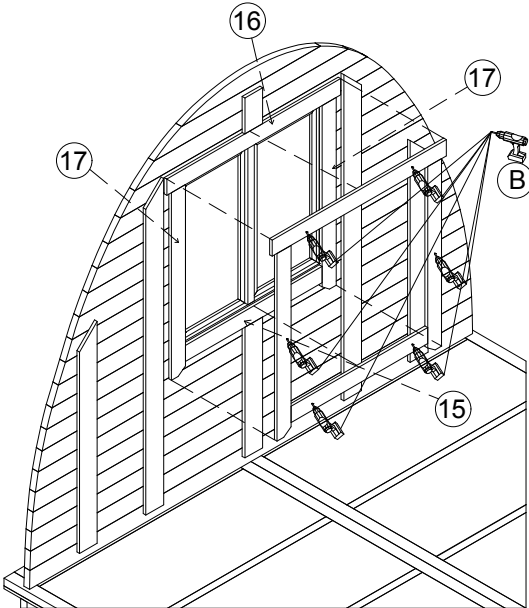
1.



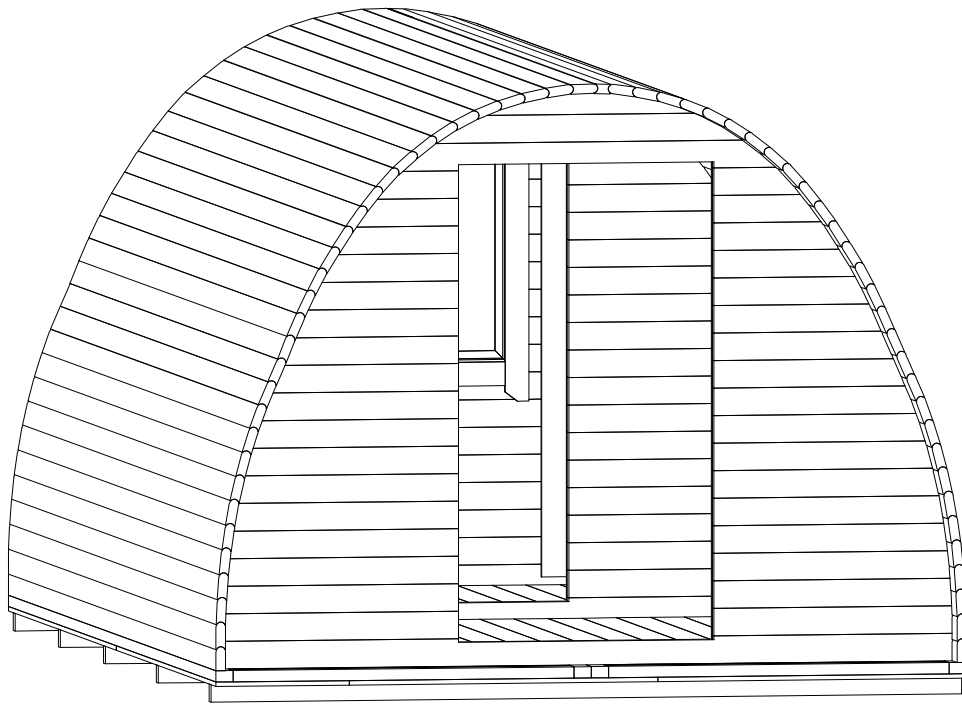
2.



3.

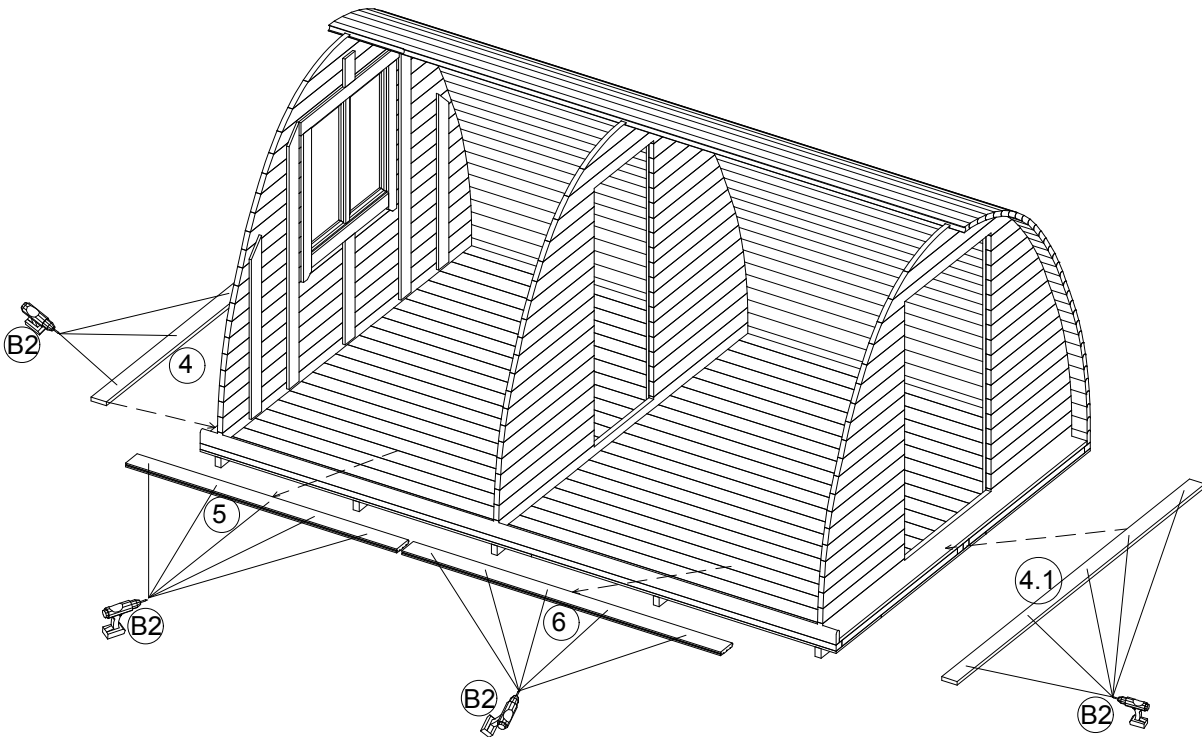


## 6. Insulated Camping Pod 4.8

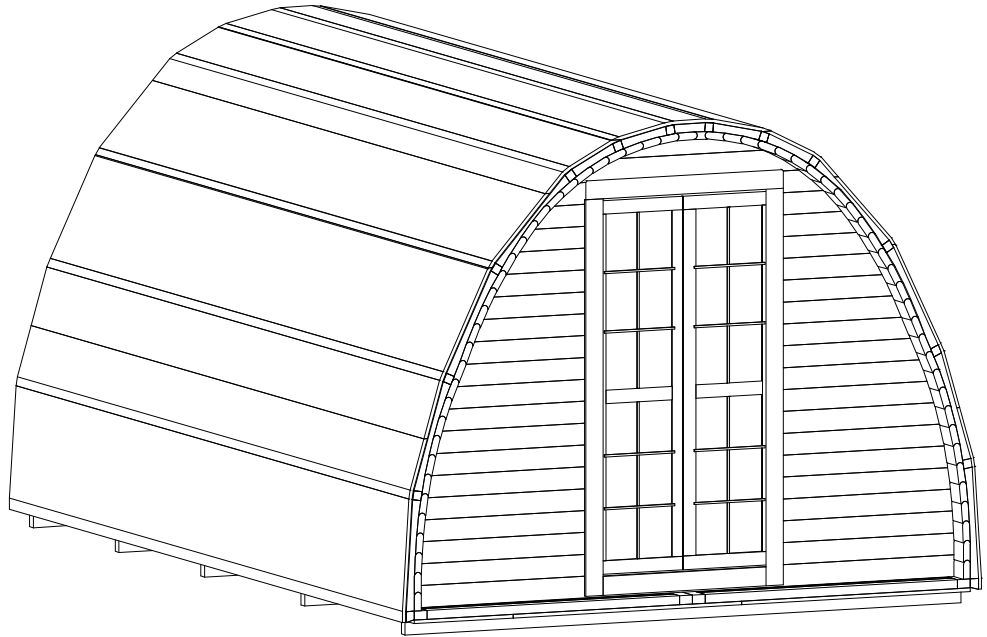


1.

⑤ — 22vnt. ④ — 1vnt.  
⑥ — 22vnt. ④.1 — 1vnt.

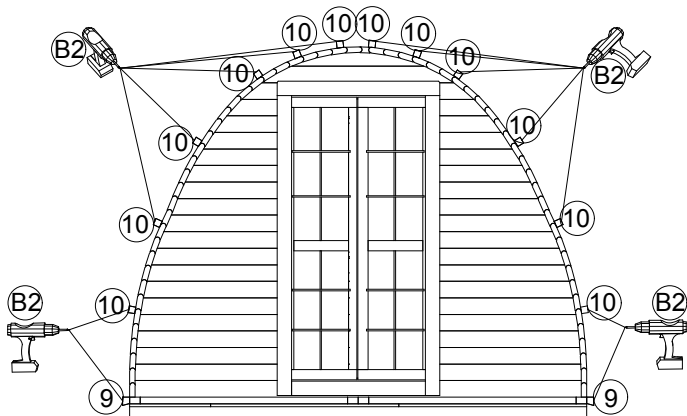


# 7. Insulated Camping Pod 4.8

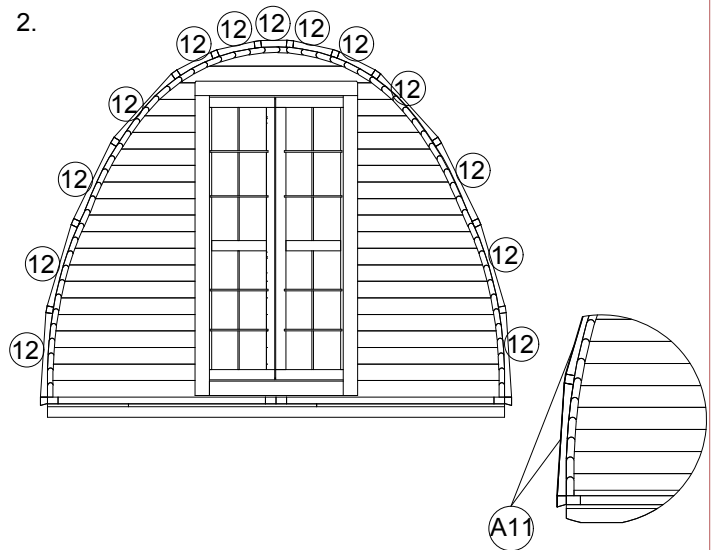


- ⑩ — 24vnt.    ⑭ — 26vnt.
- ⑨ — 2vnt.
- ⑫ — 52vnt.    ①① — 14,6m<sup>2</sup>

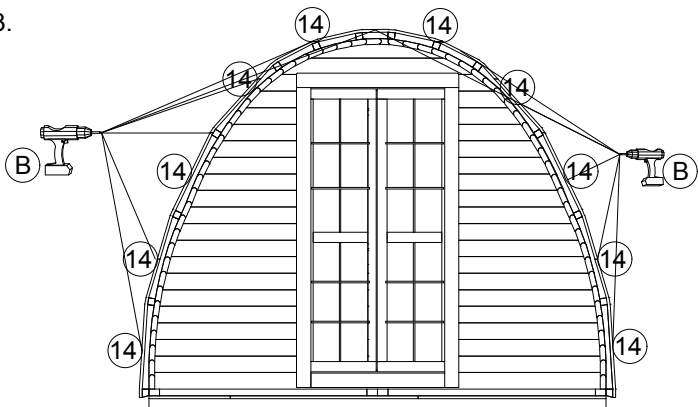
1.



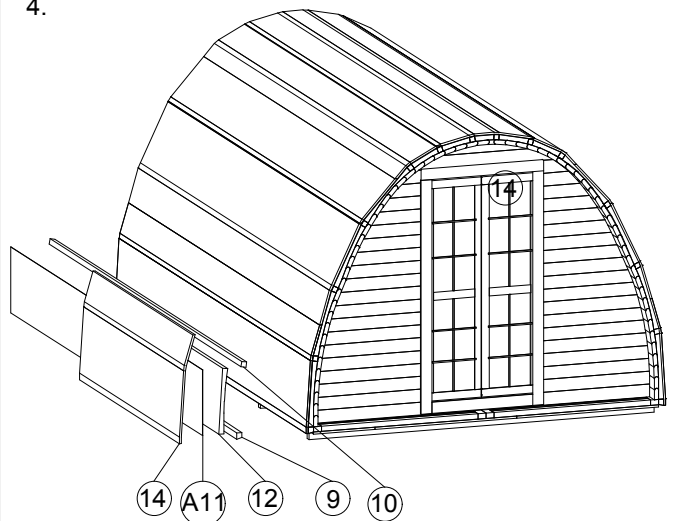
2.



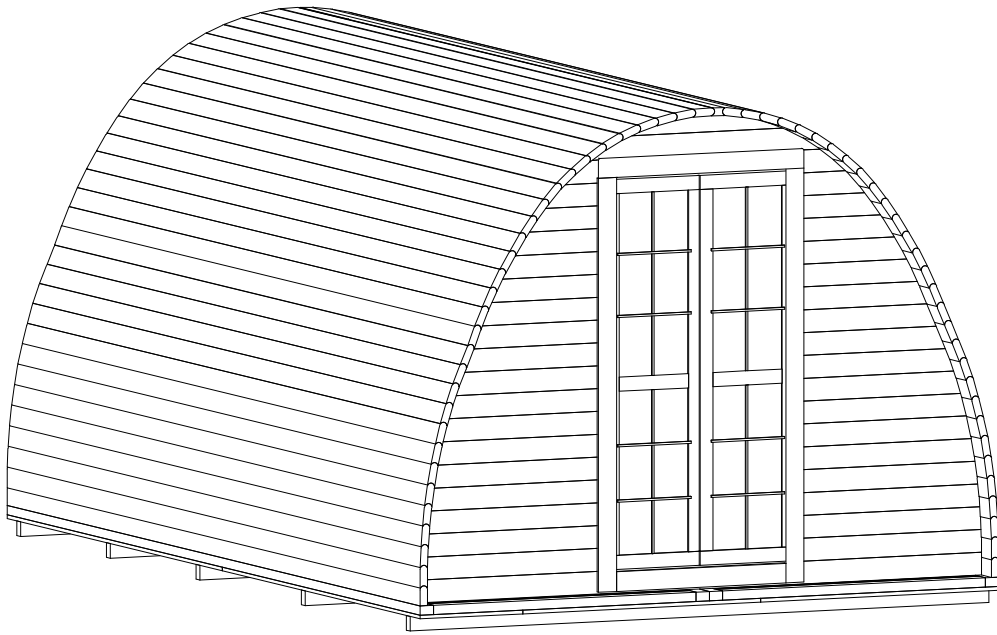
3.



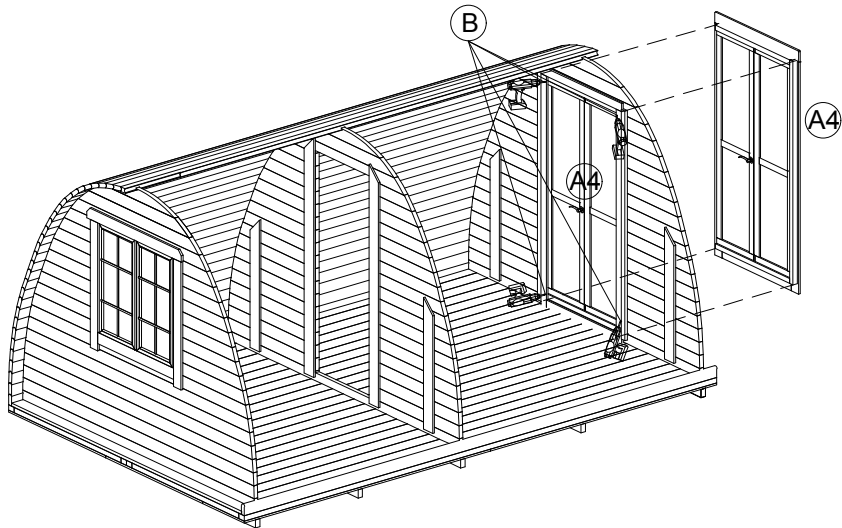
4.



## 8. Insulated Camping Pod 4.8

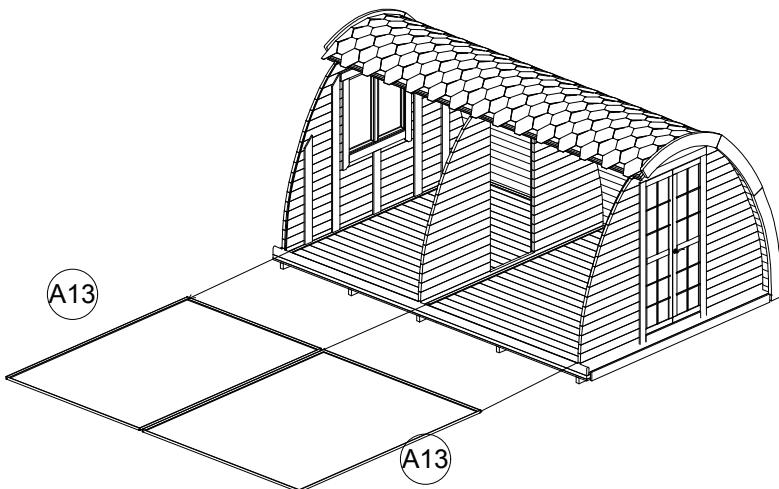


1.

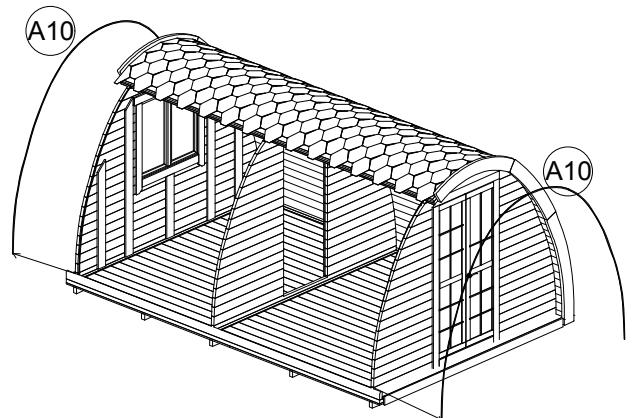


- (A4) — 1vnt.
- (A13) — 8vnt.
- (A10) — 2vnt.

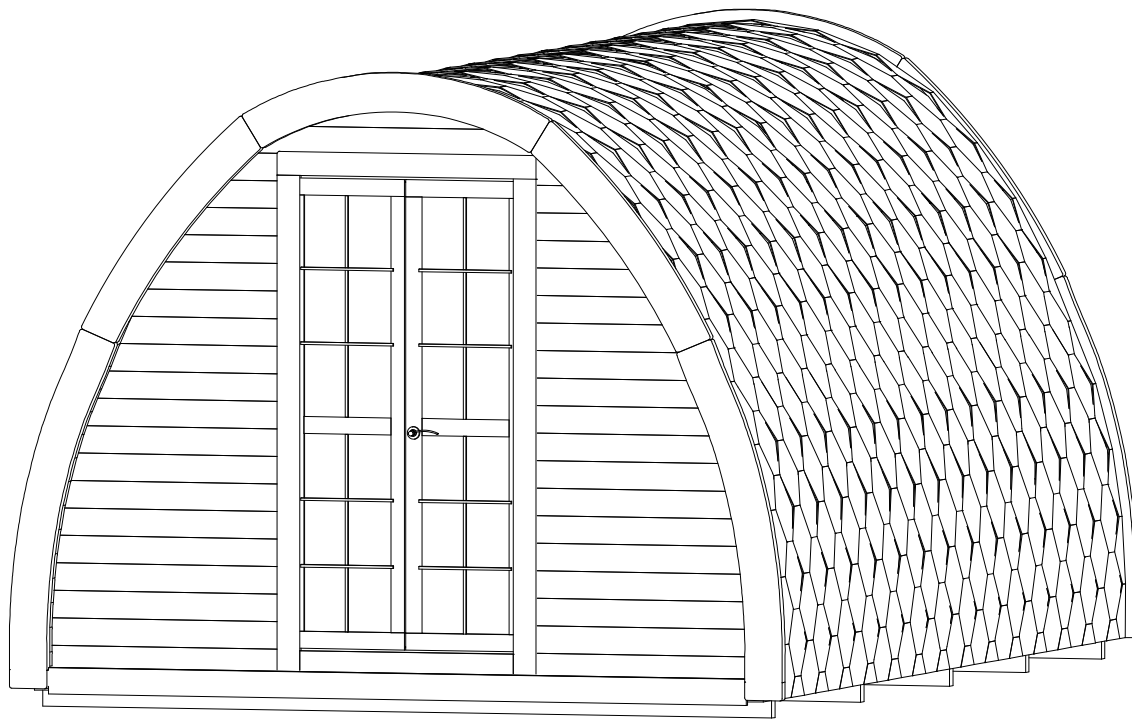
2.



3.

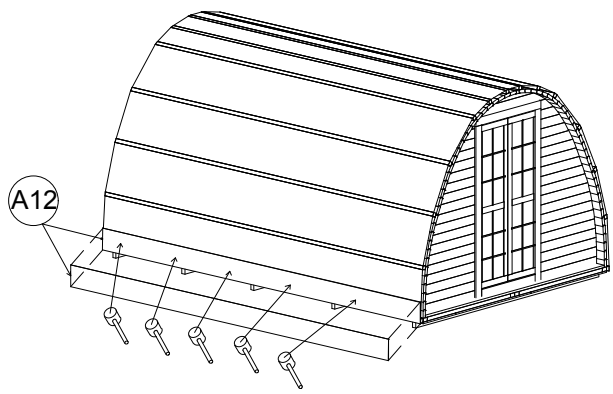


# 9. Insulated Camping Pod 4.8

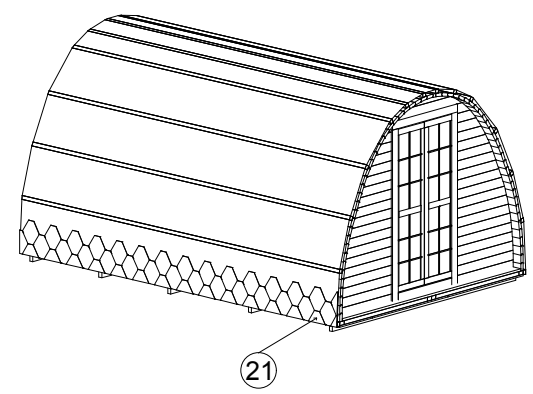


- Ⓑ1 — 220vnt
- Ⓐ12 — 2vnt      Ⓐ8 — 2vnt
- Ⓐ7 — 4vnt      Ⓐ8 — 4vnt

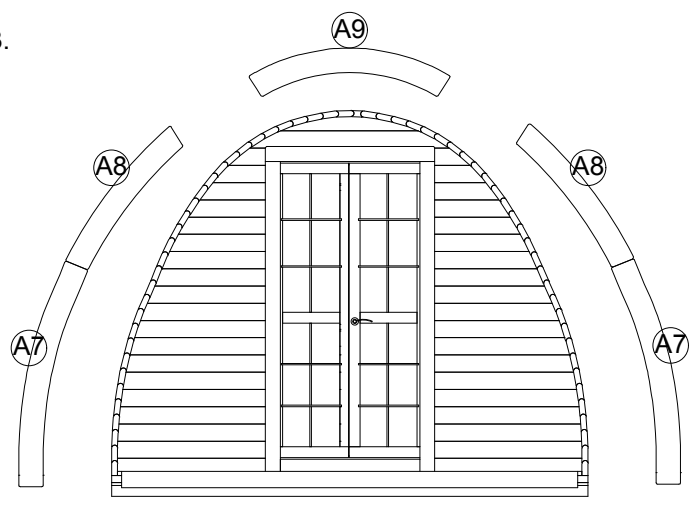
1.



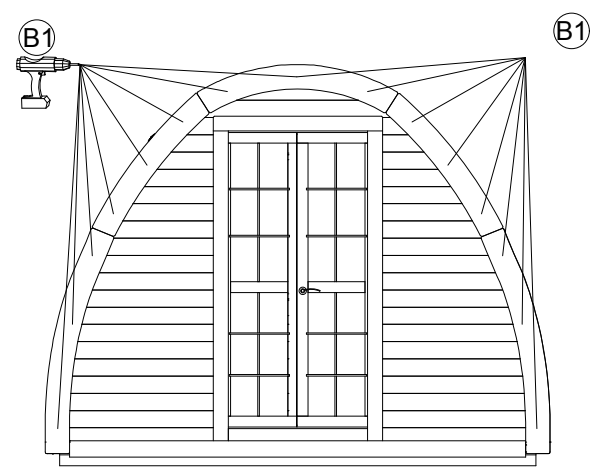
2.



3.

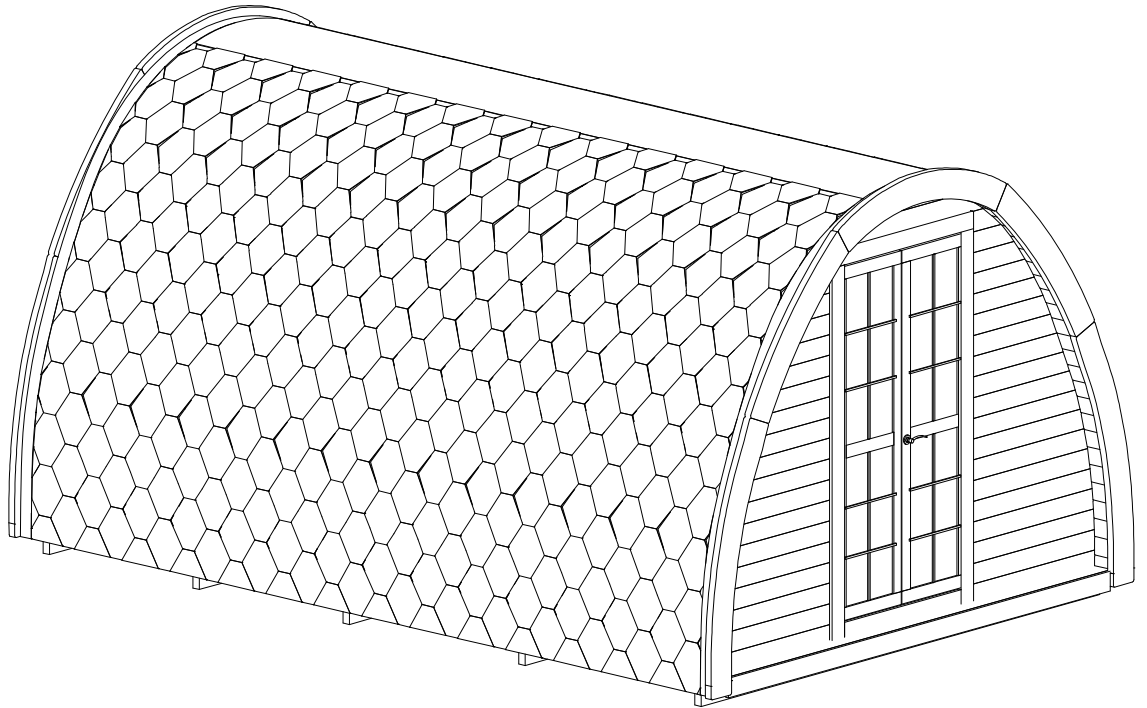


4.



1.

## 10. Insulated Camping Pod 4.8



A6 — 2vnt  
A5 — 1vnt

2.

